



Underwater linear light-36W

Features

- Energy efficient architectural lighting solution for underwater installations.
- It can be used to add coloured lighting effects to a water fountains or water falls.
- Unique passive cooling system, uses an increased cooling surface area to reduce the operating temperature of LEDs and Driver.
- 316 Stainless steel grades for safe and durable in hard water use.
- High light transmittance PC lenses.
- Flicker free & Instant ON.
- RoHS Compliant.
- Only used for underwater applications.

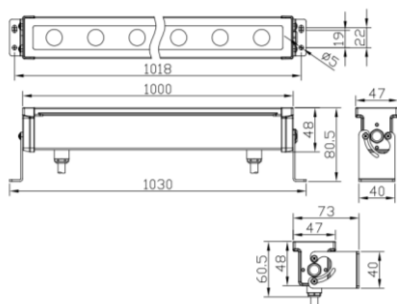
Applications

- Water fountains, water falls, and water body etc.

Specifications

Model No.	S1077-36-RGB	Input Voltage	33V-42V DC
Type	Underwater light fixture	Input current	350mA
Light Source	Osram LED	Driver	External
Power	36W (max)	Luminous flux	2880LM (6000K)
Power Factor	1	Luminous efficacy	80LM/W (6000K)
THD	NA	Life span	50,000Hrs (L70)
Beam Angle	10°/20°/30°/45°/60°/10X45°/	CRI	>80
CCT	3000K / 4000K / 6000K / RGB	Dimming	Yes
SDCM	<6	Working Temperature	-25 to 45 Deg C
IP Rating	IP68 (up to 3meter depth)	T Cas Max (Tc)	55 Deg C
Material	Stainless steel + Toughened glass	IK rating	IK07
SS grade	316 (Marine grade)	Dimension	L1000*W47*H48mm
Cable length	2 meters	Usage	Must be within the waterbody
Lamp finish	Steel finish	Certifications	CE, RoHS, LM79
Mounting	Floor mount / Wall mount	Net weight	3.5 Kg
Warranty	3 years	Safety class	III

Dimensions



Photometric Data

